

## Format SDHC CARD

3

### When You Should Format SDHC CARD?

When you use the SDHC card for the first time or just purchase a new card, you should format it in order to use it correctly. (The bundled SDHC card has been formatted and tested by the manufacturer already.) The steps are shown in below:

1. Insert the CD in your PC and open the directory "IBoxPlayer"
2. Find and run "IBoxPlayer" program and click on "Formatting Tools"

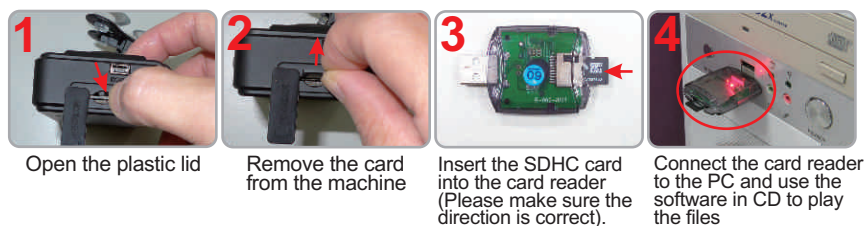


3. When formatting is completed, please insert the card into the machine for recording.



## Play the recorded files

### How to play the recorded images in SDHC card?

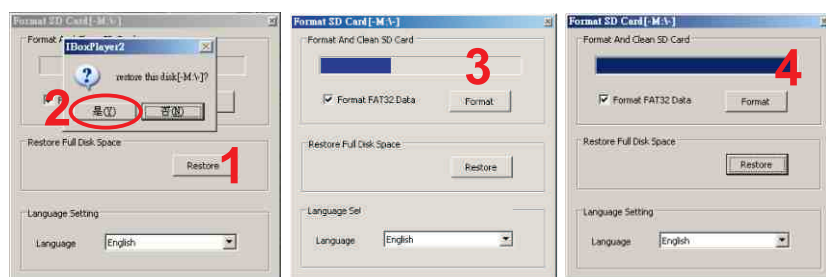


## Restore the SDHC card

When you have backup the recorded files into PC and want to use the SDHC card for other purposes, you have to restore it first so it can be used correctly.

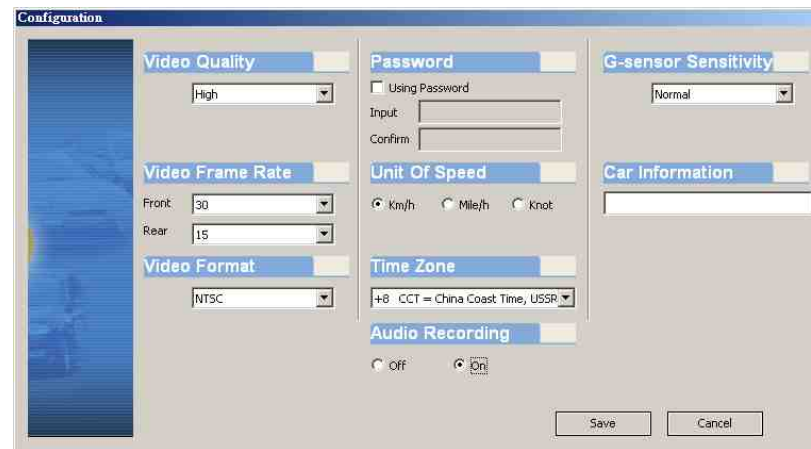
### How to restore it?

1. Remove the card and connect to the PC as same as step 3 & 4 above
2. Run the program "IBoxPlayer" and enter the "formatting tools"
3. Click on "Restore" button and following the instructions below.



## Program Settings

4



Before starting the recording, please set up all the parameters then insert the SDHC card into the machine. For more detailed information, please check the manual in CD for reference.

## Specification

Sensor Device	Forward facing lens VGA CMOS Sensor Backward facing lens VGA CMOS Sensor
View Angle	Outside vehicle apx. 120 degrees Inside vehicle apx. 170 degrees
Voltage	5V±5% : Start 600mA · Operate 500mA(IR ON) / 350mA(IR OFF) remark Please use 5V±5% · 1A Cigarette lighter adapter. The machine needs 4.8v to start.
Operating Temp	-15°C~ +65°C (Inside vehicle)
Storage device	Silicon Power or Transcend Micro SDHC card Class 6 or above recommend.
Recording Frame	Forward facing lens 640x480 highest NTSC : 30fps · PAL : 25fps Backward facing lens 640x480 highest 15fps Auto record when power up system
Recording content	Date · time · image · sound · G-Sensor date · GPS data
Recording format	Specific format for player software.
Microphone	High Sensitivity angle Microphone.
Time Setting	Auto-calibrating by GPS signals. If GPS is not available, the built-in clock will be used.
G-Sensor	Internal 3D G-Sensor
Input device	(a) Emergency button : For emergency recording. Glams in nighttime. (b) red ligh: Recording indicator. In emerency recording, it flashes more frequently. (c) green light: Flashing: Searching GPS signals. Light on: GPS positioning ready. Remark: When IR is in, the LED Light will be dimmer.
Descriptions	(a) Please do not plug the power in both micro-USB termiials. The machine might be damaged. (b) SD card must be formatted by special player first to be used properly.
Important Notice	(a) GPS positioning speed will be affected by weather, window films, etc. (b) Windows film may contain metal substances and have impact on GPS positioning. (c) IR starts according the environment lux situation (weather condition, window film, etc.) (d) When machine starts, it will be in nighttime mode first for around 30 sec then swich to daytime mode if the environment lux is enough. (e) After formatting, the remaining capacity will show 80MB.

# ALL IN ONE Vehicle Video Recorder

• Quick Guide •



2010 Set. V1.0



## Features

1. Ideal for taxi, trucks and buses.
2. Easy to install. Small in size to prevent blocking the driver's view.
3. Plug-n-Play. Both front & back cameras can record synchronously.
4. G-sensor, GPS and Image data will be recorded and playable by software player.
5. G-sensor sensitivity can be adjusted according to vehicles and road situations. When detect a strong shock, system will start emergency recording and keep the files without being overwritten.
6. Front view angle approx. 120 degrees. Back view angle approx. 170 degrees.
7. Google map is available for viewing the recorded file and let user to view the routes.
8. SDHC memory card Class 6 or above recommend.

## Accessories: (Standard & Optional)

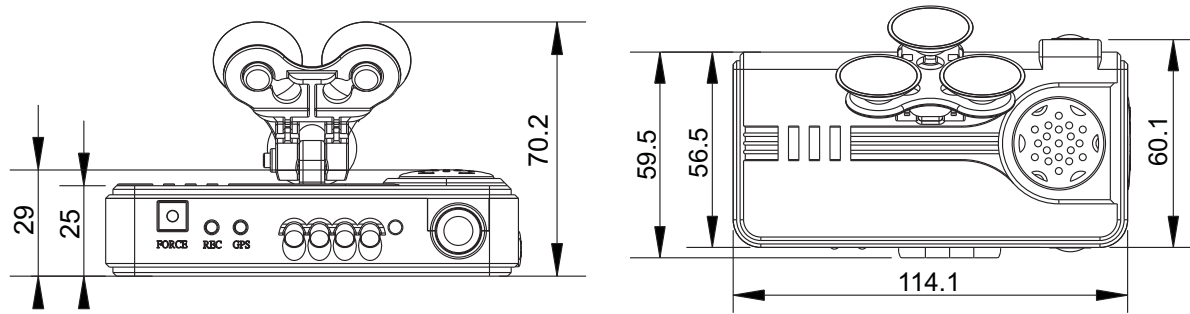
- Standard: 1. CDR-E07 2. Driver CD 3. Card Reader 4. USB Cable  
5. 5V USB Converter Power Cable 6. Manual
- Optional: 1. Micro SD 4GB/ 8GB/ 16GB Card (optional)  
2. 5V 2 x USB Converter Power Cable

## Structure of product

1



## Dimension



Unit: mm

## Installation Guide



Make the bracket facing upward



Assemble the sucking disc



Set up the machine in proper position



Adjust the viewing angle



Connect the power cable (plug in either 5 or 6 socket, please do not plug in both sockets at the same time)



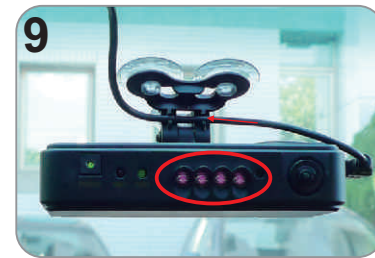
When the power is successfully connected, the IR will light on for 10 seconds.



Plug in the cigarette adapter.



Connect the power cable



When the power is successfully connected, the IR will light on for 10 seconds.

2



Emergency Button : Light on when power is connected successfully.



Green : Flashing while GPS is positioning  
Green: Light on when GPS is ready



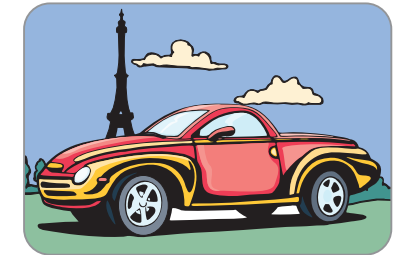
Red : Flashing during recording  
Red: Fast Flashing in emergency mode



Emergency Button: When press down, the red light will flashing rapidly. In nighttime its LED will light on as indicator.



Installation Complete!



God Speed

## Viewer 介面示意圖

